



## Is your precast grease interceptor traffic-worthy? How do you know?

All precast grease interceptors produced by Bartow Precast are built to engineer's specifications to meet AASHTO's H-20 load rating. Since grease interceptors are almost always installed in commercial environments, they are frequently subject to traffic. When not placed in drive-thru's or parking lots, they are subject to delivery trucks and pumping trucks, even in landscape areas. In addition to H-20 load rating, our structures meet ASTM C1613, Standard Specification for Precast Concrete Grease Interceptor Tanks, insuring they are watertight upon proper installation.

## Want to be sure? Just ask.

We will be pleased to provide stamped structural drawings and engineering calculations for our products. Precast concrete is an engineered product—ask for proof.



**BARTOW  
PRECAST**

[www.bartowprecast.com](http://www.bartowprecast.com)

Cartersville, Georgia 30120

Telephone 770-382-4462

We have interceptors to meet all Georgia municipal specifications. Please contact our office for additional cut sheets. Proper excavation is necessary and ample space should be left for removal of exterior lifting cables. We recommend 18" clearance beyond structure outside dimension.

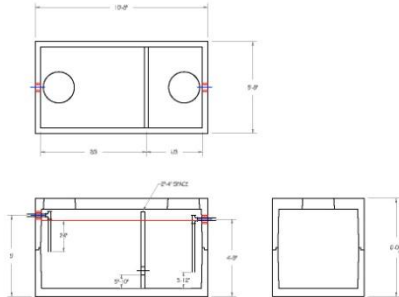


### COBB COUNTY GREASE INTERCEPTOR

1500 GALLON  
SCALE: 1/4" = 1'  
SHOP DRAWING



Cartersville, GA  
770/382-4462  
Fax: 770/382-4480



NOTES:  
H-20 RATED TANK: CONCRETE TO BE 5000 PSI @ 28 DAYS  
MEETS ASTM C 1613  
BUTYL RUBBER SEALANT TO BE USED AT JOINTS  
INLET & OUTLET TO BE RUBBER BOOT SUITABLE FOR 4" OR 6" PVC  
PIPING BY OTHERS  
ACCESS HOLES SUITABLE FOR 24" RINGS & COVERS  
SITE WORK PER COBB COUNTY DETAIL 03410-20

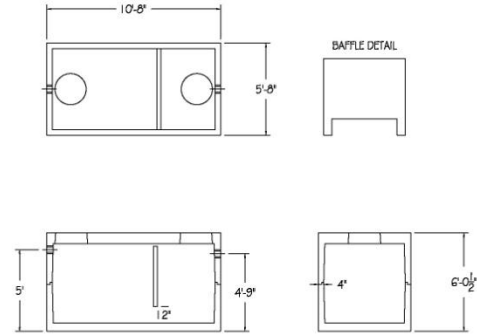


### CLAYTON COUNTY WATER AUTHORITY

ITEM # 111-01590, 111-01592  
SCALE: 1/4" = 1'  
SHOP DRAWING



Cartersville, GA  
770/382-4462  
Fax: 770/382-4480



NOTES:  
H-20 RATED TANK: CONCRETE TO BE 5000 PSI @ 28 DAYS  
BUTYL RUBBER SEALANT TO BE USED AT JOINTS  
INLET & OUTLET TO BE POLYLOK RUBBER BOOT THAT WILL ACCEPT 4" & 6" PVC  
MEETS ASTM C 1613

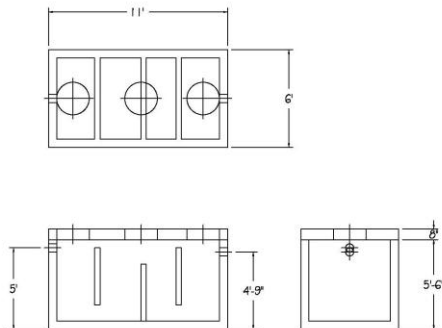


### 1500 GREASE INTERCEPTOR

ITEM # 110-01520  
SCALE: 1/4" = 1'  
TANK=17,000# LID=4,400#



Cartersville, GA  
770/382-4462  
Fax: 770/382-4480



NOTES:  
H-20 RATED TANK: CONCRETE TO BE 5000 PSI @ 28 DAYS  
BUTYL RUBBER SEALANT TO BE USED AT JOINTS  
24" ACCESS HOLES SUITABLE FOR RING & COVER  
INLET & OUTLET TO BE RUBBER BOOT FOR 6" OR 4" PVC  
MEETS ASTM C 1613

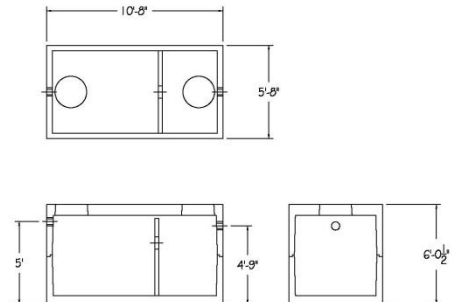


### DEKALB COUNTY

1500 GALLON GREASE INTERCEPTOR  
SCALE: 1/4" = 1'  
ITEM # 111-01590, 111-01592



Cartersville, GA  
770/382-4462  
Fax: 770/382-4480



NOTES:  
H-20 RATED TANK: CONCRETE TO BE 5000 PSI @ 28 DAYS  
BUTYL RUBBER SEALANT TO BE USED AT JOINTS  
INLET & OUTLET TO BE POLYLOK RUBBER BOOT THAT WILL ACCEPT 4" & 6" PVC  
HOLE IN BAFFLE WALL IS 8" PVC