

6'x5'x5' (ID) VAULT

SS120-50605
L0706-4848

PRODUCT INFORMATION

6'x5'x5' (ID)

UTILITY VAULT

VAULT = 9,000 #

LID = 2,100 #

*design may vary

SPECIFICATIONS

MEETS ASTM C858 & C857

RATING: NON-TRAFFIC

CONCRETE TO BE 4,000 PSI
@ 28 DAYS

REINFORCING STEEL MEETS
ASTM A 615

10" STEPS ON 12" CENTERS

BUTYL SEALANT MEETING ASTM
C 990 TO BE USED ON JOINTS

ACCESS HATCH SHALL BE
FABRICATED WITH 1/4"
ALUMINUM DIAMOND PLATE
DESIGNED TO SUPPORT 300 psf
48"x48" FRAME OPENING
EQUIPPED WITH: SLAM LOCK,
PUSH MOUNT LIFT HANDLE,
HOLD-OPEN ARM, SS HARDWARE
AND HINGES

PENETRATIONS SIZE AND
LOCATION VARY PER JOB

CALL FOR ADDITIONAL SPECS



DRAWING INFORMATION

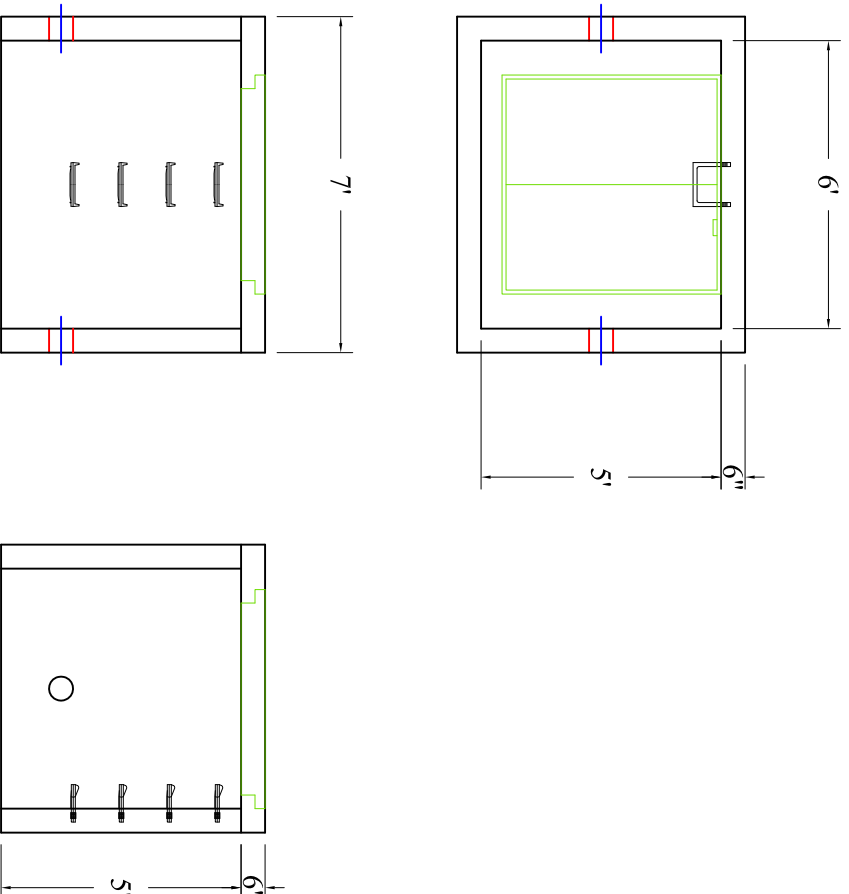
Drawn By: JIG
Checked By: CBC
Revision: 1
Date: 2/4/17

APPROVED BY: _____

print: _____

sign: _____

*actual dimensions may vary slightly



Scale: 1/4" = 1'



BARTOW PRECAST

770.382.4462
sales@bartowprecast.com
WWW.BARTOWPRECAST.COM