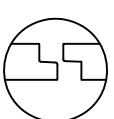
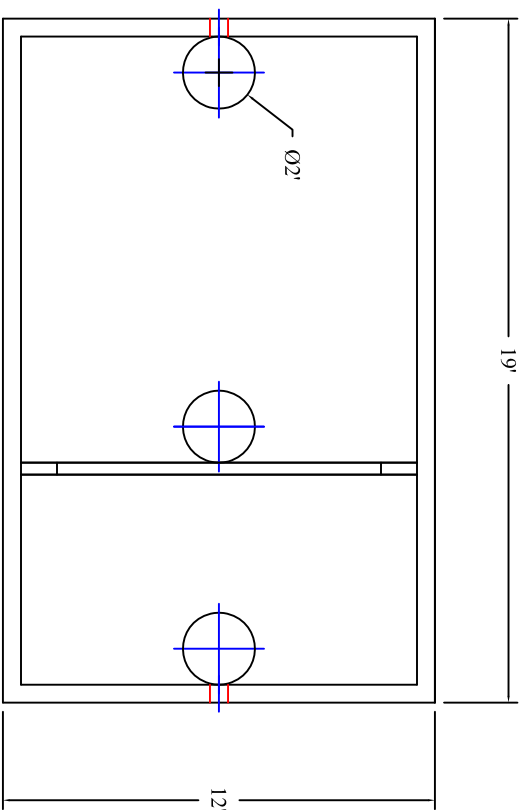
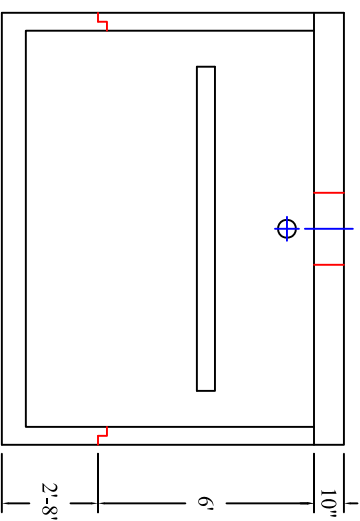
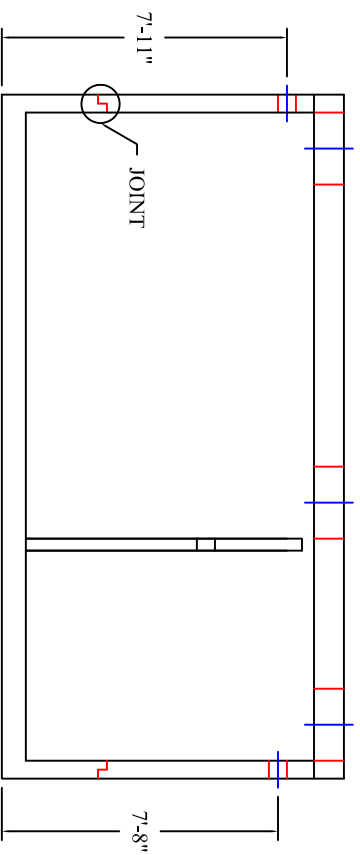


SEPTIC TANK 10,000 GALLON CAPACITY



JOINT DETAIL



Scale: 3/16" = 1'



**BARTOW
PRECAST**

770.382.4462
sales@bartowprecast.com
WWW.BARTOWPRECAST.COM

MODEL: ST 10000 / 180

PRODUCT INFORMATION

10,000 GALLON
SEPTIC TANK

BASE= 31,800 # RISER= 27,000 #
LID= 26,850 # BAFFLE= 4,200 #
DESIGN MAY VARY

SPECIFICATIONS

MEETS ASTM C 1227

RATING: A-16 (H-20), ASSUME
4" MAX EARTH COVER WITH 3"
WATER TABLE BELOW GRADE

CONCRETE: 5,000 PSI @ 28 DAYS

STEEL REINFORCEMENT: MEETS
ASTM A 615, PLACEMENT AS
REQUIRED BY DESIGN

INLET & OUTLET BOOT MEETS
ASTM C 923, ACCEPTS 4" & 6" PVC

BUTYL SEALANT: MEETS ASTM
C 900, USED ON JOINTS

ACCESS OPENING SUITABLE FOR
24" RISER AND/OR RING & COVER

INTERNAL PIPING BY OTHERS
PER MUNICIPAL SPECS

MODIFICATION TO THIS DESIGN
AVAILABLE UPON REQUEST

CALL FOR ADDITIONAL SPECS



DRAWING INFORMATION

Drawn By: CBC
Checked By:
Revision:
Date: 2/7/17

APPROVED BY:

print:

sign:

*actual dimensions may vary slightly