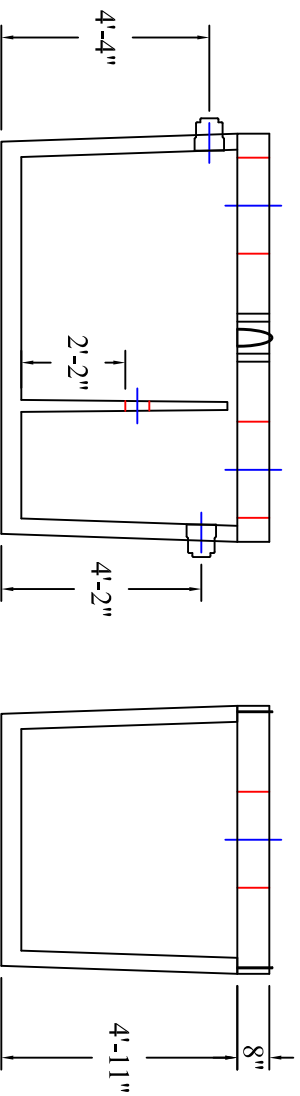
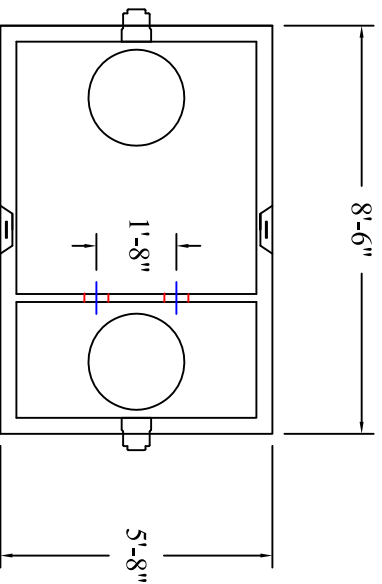


Newman Utilities 1,000 Gallon Grease Interceptor



MODEL: 111-01038

PRODUCT INFORMATION

1,000 GALLON
GREASE INTERCEPTOR

TANK = 9,500 #
LID = 4,200 #
DESIGN MAY VARY

SPECIFICATIONS

MEETS ASTM C 1613

RATING: A-16 (H-20), ASSUME
4" MAX EARTH COVER WITH 3"
WATER TABLE BELOW GRADE

CONCRETE: 5,000 PSI @ 28 DAYS

STEEL REINFORCEMENT: MEETS
ASTM A 615, PLACEMENT AS
REQUIRED BY DESIGN

INLET & OUTLET BOOT MEETS
ASTM C 923, ACCEPTS 4" & 6" PVC

BUTYL SEALANT: MEETS ASTM
C 900, USED ON JOINTS

ACCESS OPENING SUITABLE FOR
24" RISER AND/OR RING & COVER

INTERNAL PIPING BY OTHERS
PER MUNICIPAL SPECS

CROSSOVERS TO BE 6" PVC

CALL FOR ADDITIONAL SPECS



DRAWING INFORMATION

Drawn By: CBC
Checked By:
Revision:
Date: 2/2/17

APPROVED BY: _____

print: _____

sign: _____

*actual dimensions may vary slightly



**BARTOW
PRECAST**

770.382.4462
sales@bartowprecast.com
WWW.BARTOWPRECAST.COM

Scale: 1/4" = 1'